

# Hallway

COM1 - surface black  
 EAN 4007841 086312  
 Article number 086312



max. 25 x 3 m

2000 W

max. 2000 W



IP54



5 sec - 60 min



2 - 12 m

iQ

iQ-mode



connectable via  
 bluetooth

5 years

manufacturer's  
 warranty steinel.de/  
 garantie



CE

## Function description

The cleverer hallway sensor knows more. Perfect radial detection up to 25 m – ideal for long corridors and hallways. Reach can be adjusted in both directions. Contemporary Control PRO II design. Featuring Bluetooth technology. Interfaces for COM1, COM2, DALI-2 APC, DALI-2 IPD, KNX, IP and BT IPD (Slave). Light measurement is not possible with the black sensors. An external light meter must be integrated via Bluetooth or KNX for this purpose.

## Technical specifications

Dimensions (L x W x H)	62 x 123 x 123 mm	Mounting height	2 – 4 m
With motion detector	Yes	Mounting height max.	4,00 m
Manufacturer's Warranty	5 years	Optimum mounting height	2,8 m
Settings via	Bluetooth Mesh	HF-system	5,8 GHz
With remote control	No	Detection	also through glass, wood and stud walls
Version	COM1 - surface black	Detection angle	Aisle, 360 °
PU1, EAN	4007841086312	Angle of aperture	160 °
Type	Presence detector	Sneak-by guard	Yes
Application, place	Indoors	Capability of masking out individual segments	No
Application, room	Indoors, corridor / aisle	Electronic scalability	Yes
Colour	black	Mechanical scalability	No
Colour, RAL	9005	Reach, radial	25 x 3 m (75 m <sup>2</sup> )
Includes corner wall mount	No	Reach, tangential	25 x 3 m (75 m <sup>2</sup> )
Installation site	ceiling	Transmitter power	< 1 mW
Installation	Surface wiring, Ceiling	Functions	Group parameterisation, Semi-/fully automatic, Lighting scenario, Manual
IP-rating	IP54		
Ambient temperature	from -20 up to 50 °C		

# Hallway

COM1 - surface black  
EAN 4007841 086312  
Article number 086312



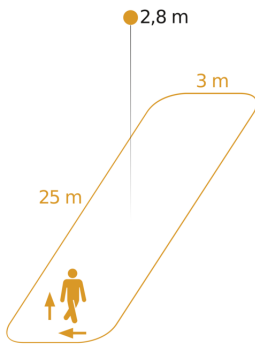
## Technical specifications

Material	Plastic	ON / ON-OFF, Neighbouring group function, Normal / test mode	
Mains power supply	220 – 240 V / 50 – 60 Hz	Twilight setting	2 – 2000 lx
Switching output 1, resistive	2000 W	Time setting	10 s – 60 Min.
Switching output 1, number of LEDs / fluorescent lamps	8 pcs.	Basic light level function	No
Switching output 1, floating	No	Main light adjustable	Yes
Switching output 1, low-voltage halogen lamps	2000 VA	Twilight setting TEACH	Yes
Power consumption	1 W	Constant-lighting control	No
Technology, sensors	High frequency	Interconnection	Yes
		Interconnection via	Bluetooth Mesh
		Product category	Presence detector

# Hallway

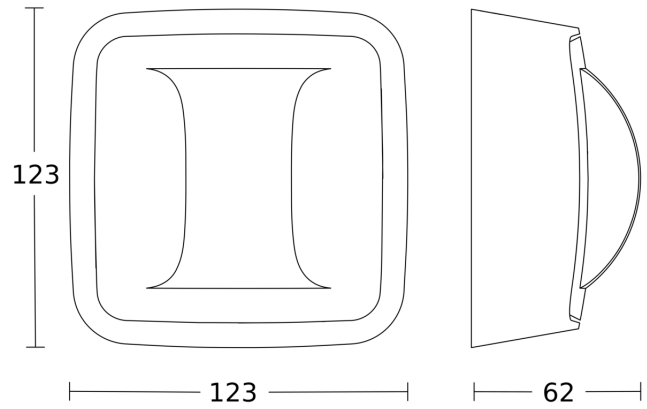
COM1 - surface black  
EAN 4007841 086312  
Article number 086312

## Detection Zone



Possible mounting height: 2,00 m - 4,00 m  
Orange: radial and tangential

## Dimension Drawing



## Master circuit diagram

